

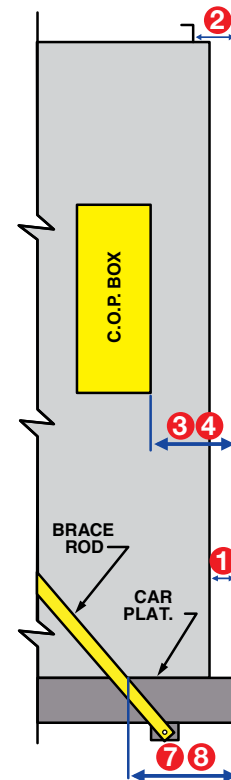
HOISTWAY SURVEY SHEET

General Information and Layout

Courion Job Number:	Lift Number:		
Job Name:			
Job Address:			
Job City:	Job State:		
Elevator Contractor:			
Car Capacity:	Class of Loading:		
Power Supply (v & hz):	Operation:	Power	Manual
Number of Stops:	Number of Openings	Front:	Rear:
Wall Construction:	Concrete/Block	Wall Thickness:	
	Drywall		
Jamb Construction:	Steel to Lintel	Jamb Channel Size:	
	Steel to Structure		
Hoistway NEMA Rating:	NEMA 1	NEMA 4	Machine Room NEMA Rating:
	NEMA 4x	NEMA 7/9	NEMA 1
			NEMA 4
			NEMA 4x
			NEMA 7/9

CAR ENCLOSURE, COP & PLATFORM DETAILS

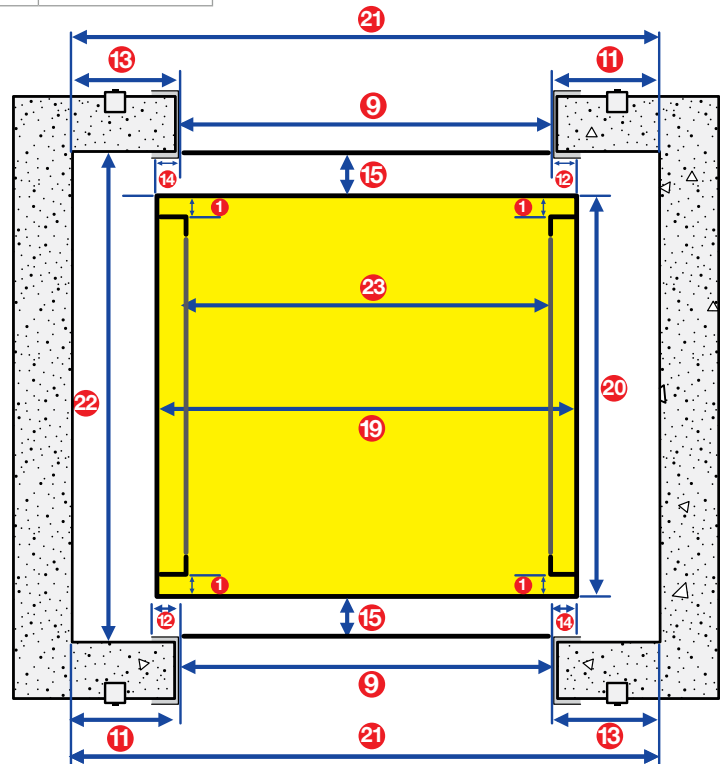
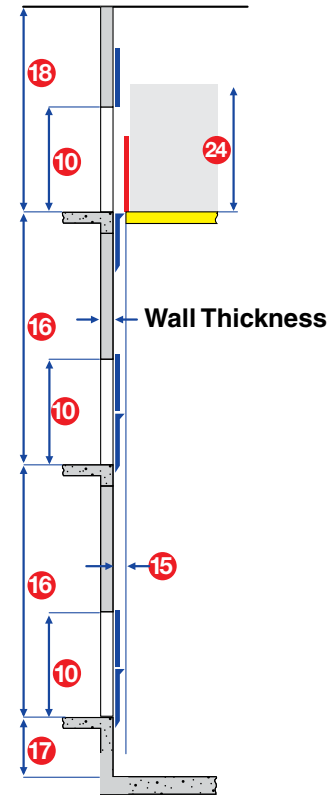
1	Enclosure Setback:	_____		
2	Canopy Setback:	_____		
3	Primary COP Hand (inside looking out):	Right Side	_____	
		Left Side	_____	
4	Primary COP Setback:	_____		
5	AUX COP Hand (inside looking out):	Right Side	_____	
		Left Side	_____	
6	AUX COP Setback:	_____		
7	Brace Rod Setback (Front):	_____		
8	Brace Rod Setback (Rear):	_____		



A VANTAGE Company

www.couriondoors.com

Opening Number	Front		Rear	
	Front	Rear	Front	Rear
9 Opening Width:				
10 Opening Height:				
11 Return: (Right Side)				
12 Platform Lap: (Right Side)				
13 Return: (Left Side)				
14 Platform Lap: (Left Side)				
15 Car-To-Sill				
16 Floor-To-Floor				
17 Pit Depth: (Clear)				
18 Overhead: (Clear)				
19 Platform Width				
20 Platform Depth				
21 Hoistway Width				
22 Hoistway Depth				
23 Enclosure Width: (Inside)				
24 Enclosure Depth: (Inside)				



A VANTAGE Company

3044 Lambdin Ave.
 St. Louis, Missouri 63115
 Ph: 314.533.5700
 Fax: 314.533.5720
 sales@couriondoors.com
www.couriondoors.com

VANTAGE REGIONAL SERVICE CENTERS

Miami – 877.241.9354
 Chicago – 877.300.5830
 Los Angeles – 877.300.5816
 New York – 347.226.4555
 Toronto – 888.425.2262