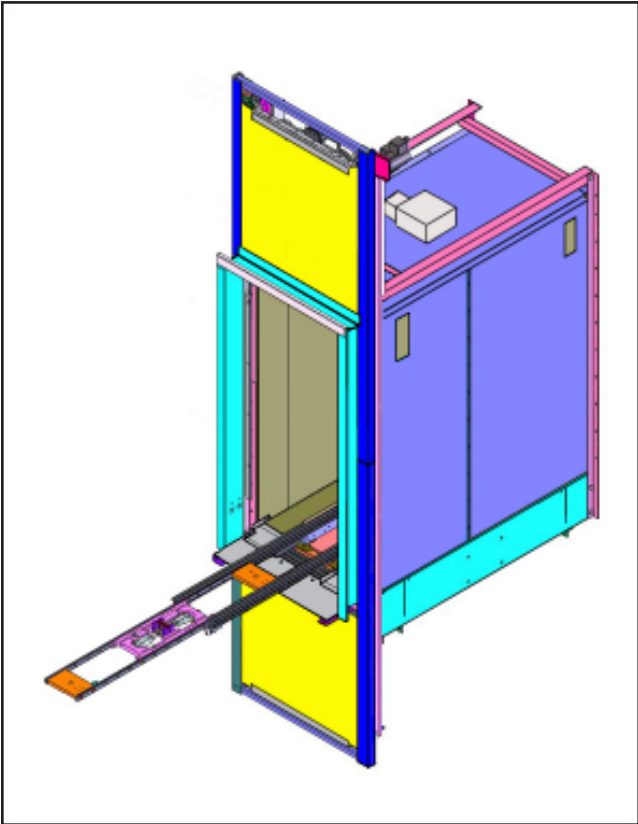




*OPENING QUALITY DOORS  
AROUND THE WORLD*



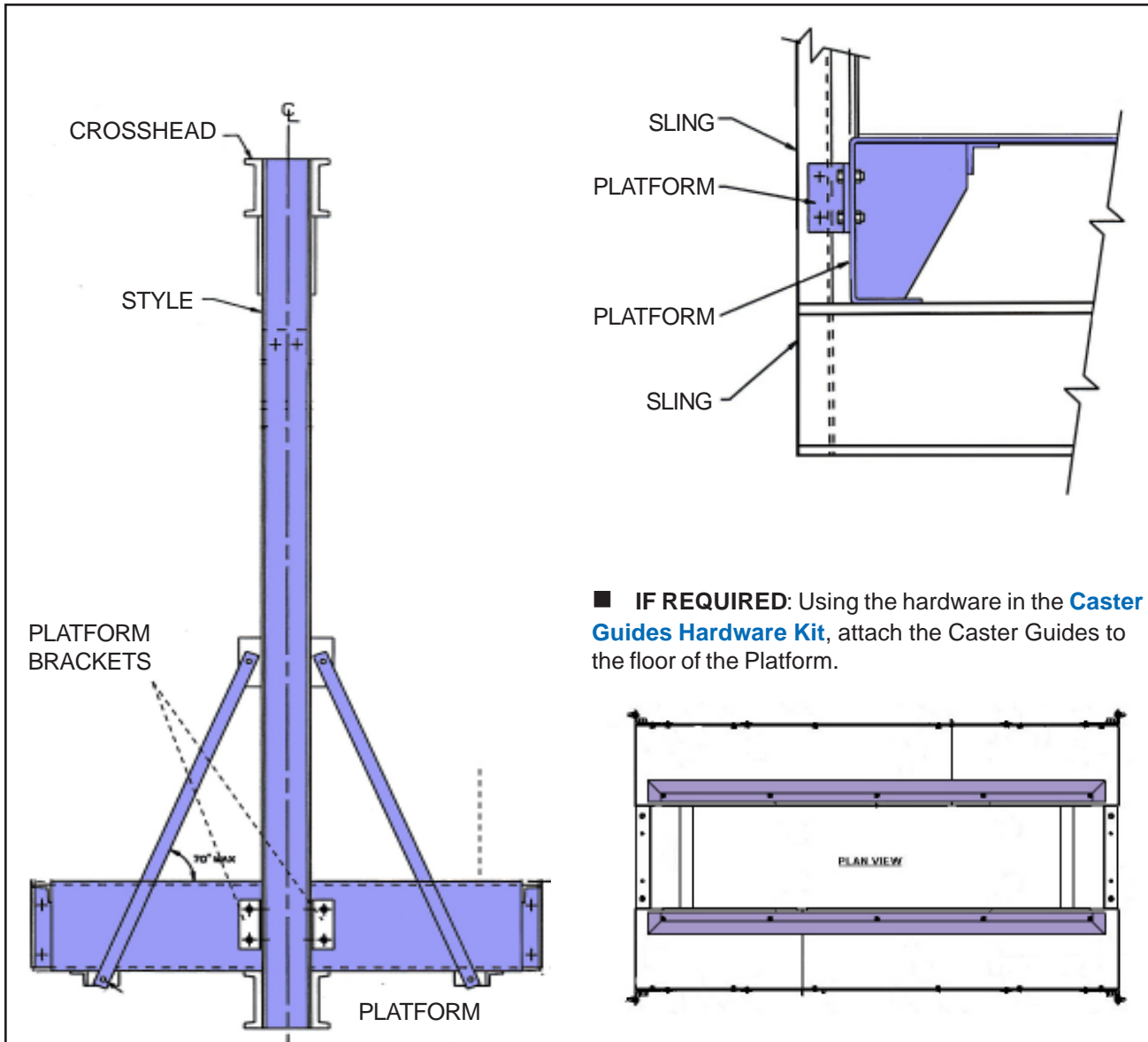
JOB NAME:	_____
JOB LOCATION:	_____
COURION JOB #:	_____
LIFT #:	_____

## Cart-Matic® Installation Instructions

### Step 1

**PLATFORM** - Attach the Platform to the elevator Sling and place suitable temporary flooring material on the Platform to create a solid and safe working surface. **See Courion GDI Drawings.**

- Using the mounting hardware found in the **Platform Bracket Hardware Kit** attach the Car Platform to the elevator Sling. When complete, Platform should be centered between the styles.



### Step 2

**CAR ENCLOSURE:** (Perform this Step only if Car Enclosure is not Pre-Assembled by Courion) Install the Car Enclosure and Caster Guides to the Platform.

Your COURION Car Enclosure has been shipped in four (4) pieces, including two (2) side panels, one (1) rear panel (unless the car is front and rear load), and one (1) canopy. Each piece is numbered. There is a corresponding number on the Platform.

- Using the fasteners found in the **Car Assembly Hardware Kit**, attach the two (2) side panels to the Platform. See **Figures 1 & 2**.
- Attach the Canopy to the side panels. See **Figure 3**.
- When applicable, attach the Back Panel to the side panels and canopy. See **Figure 4**.
- Attach the Car Top Brackets to the Stiles at the top of the Car Enclosure and secure.

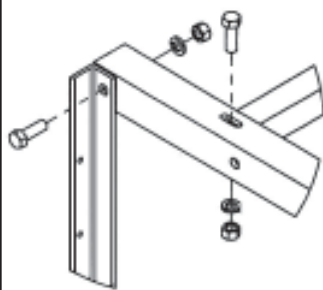
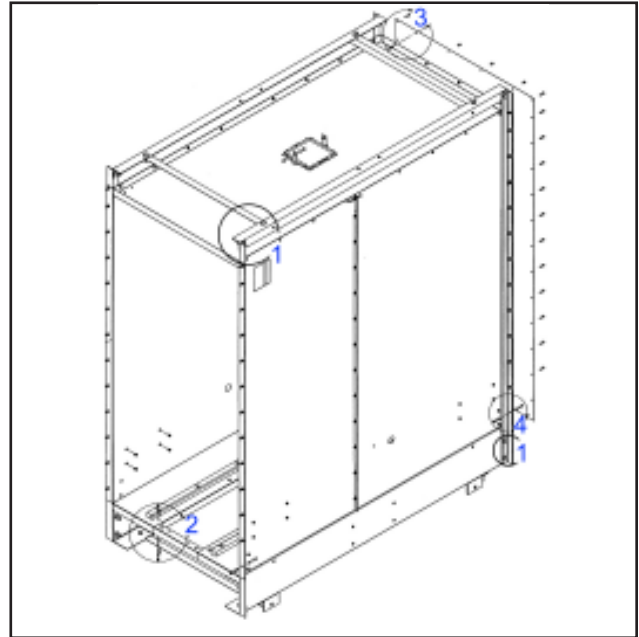


Figure 1

1/2-13 x 1-1/2" Hex Head Machine Bolts, 1/2" Split Lock washers, and 1/2-13 Hex Nuts.

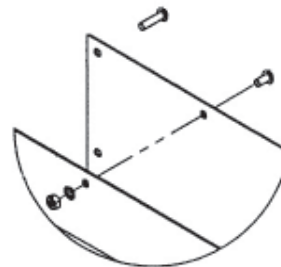


Figure 3

1/4-20 x 1/2" Round Head Machine Screws, 1/4 Internal Tooth Lock Washers, and 1/4-20 Hex Nuts.

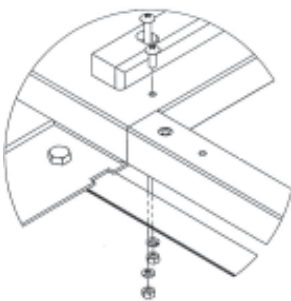


Figure 2

1/4-20 x 1" Truss Head Machine Screws, 1/4" Split Lock Washers, and 1/4-20 Hex Nuts.

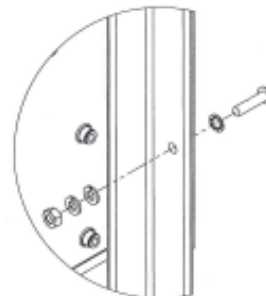
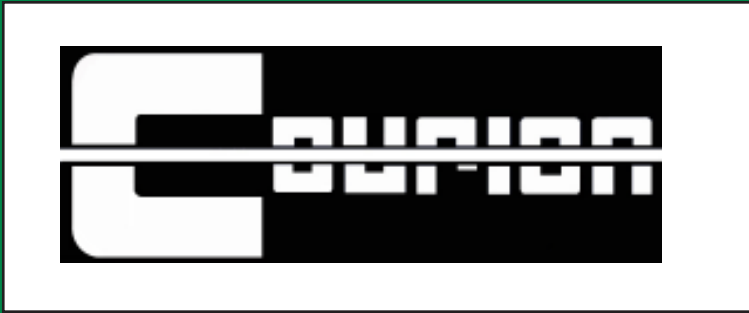


Figure 4

1/4-20 x 1" Round Head Machine Screws, 1/4 Split Lock Washers, and 1/4-20 Hex Nuts.





3044 LAMB DIN AVENUE  
ST. LOUIS, MO 63115  
(800) 533-5760 or (314) 533-5700  
(314) 533-5720 (fax)  
[sales@couriondoors.com](mailto:sales@couriondoors.com)