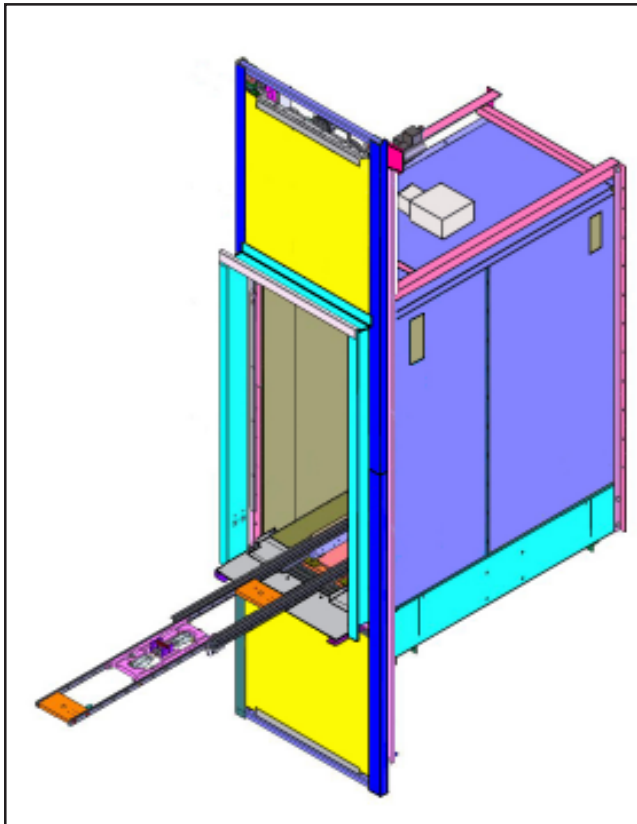


*OPENING QUALITY DOORS
AROUND THE WORLD*

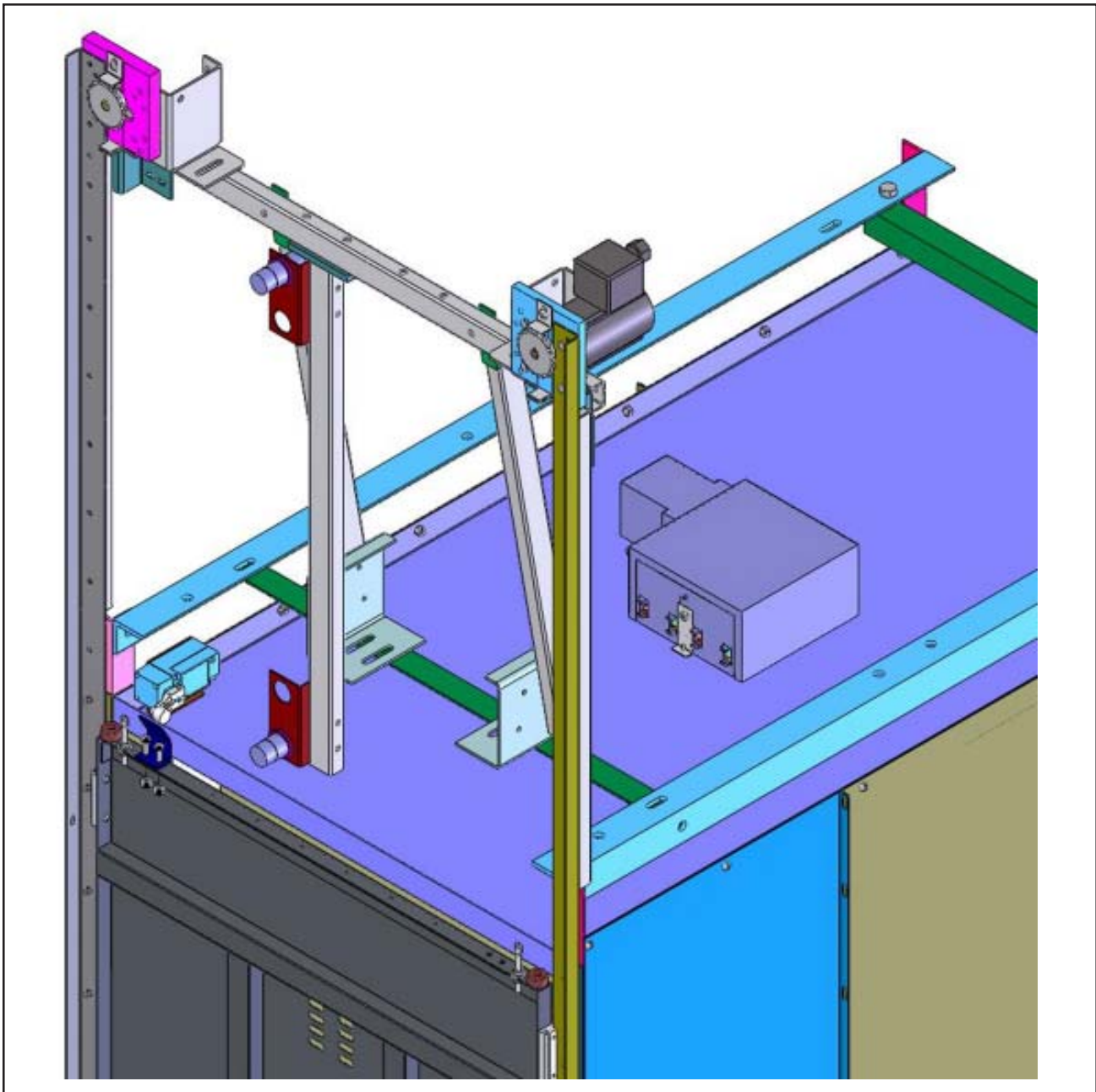


- Courion
- Security Fire Door
- Harris Preble
- Guilbert
- Energy
- Cart-Matic
- Tote-Matic
- Freight Tech

Proximity Sensors Installation

Purpose

The Car Gate Proximity Sensors are used to determine the location of the Car Gate as it approaches FULL OPEN and FULL CLOSED. These Sensors provide the necessary input to the COURION Controller to allow for the smooth and quiet motion of the Car Gate during its operation.



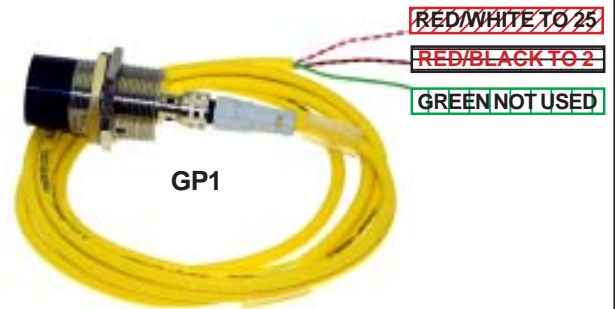
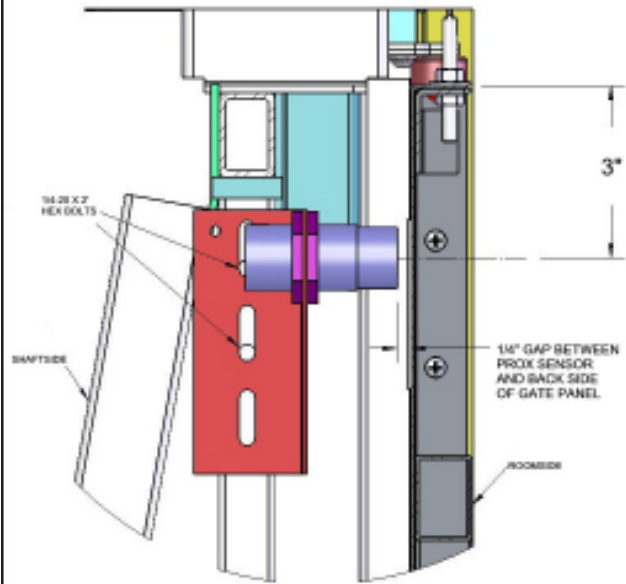
Proximity Sensors Installation

Install & Adjust

PROXIMITY SENSORS - Install two (2) Proximity Sensors onto the Proximity Switch Mounting Frame located directly behind the Car Gate. Adjust the depth of the switches to about **1/4"** from the backside of the Gate Panel.

TOP GATE PROXIMITY SENSOR (GP1)

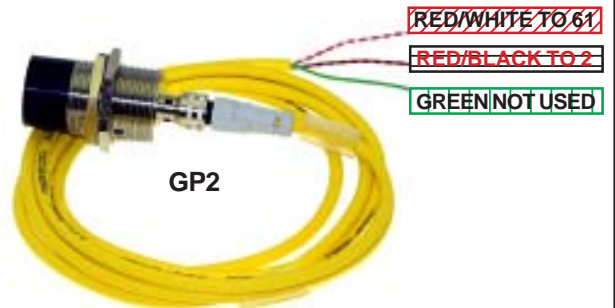
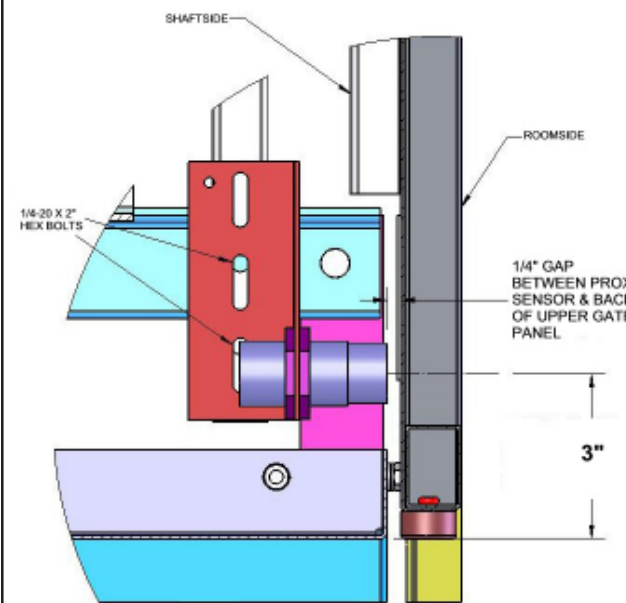
with Car Gate in FULL CLOSED position



GP1 WIRING INSTRUCTIONS

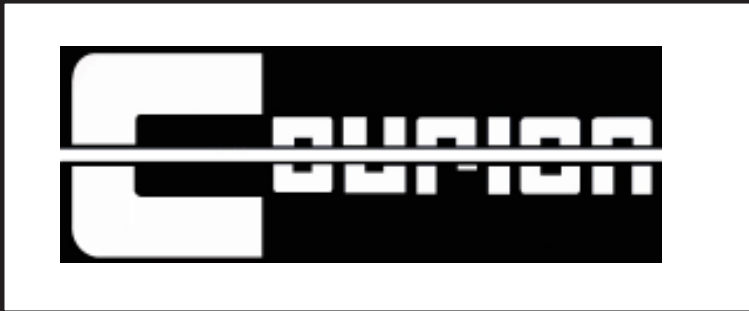
LOWER GATE PROXIMITY SENSOR (GP2)

with Car Gate in FULL CLOSED position



GP2 WIRING INSTRUCTIONS





3044 LAMB DIN AVENUE
ST. LOUIS, MO 63115
(800) 533-5760 or (314) 533-5700
(314) 533-5720 (fax)
sales@couriondoors.com