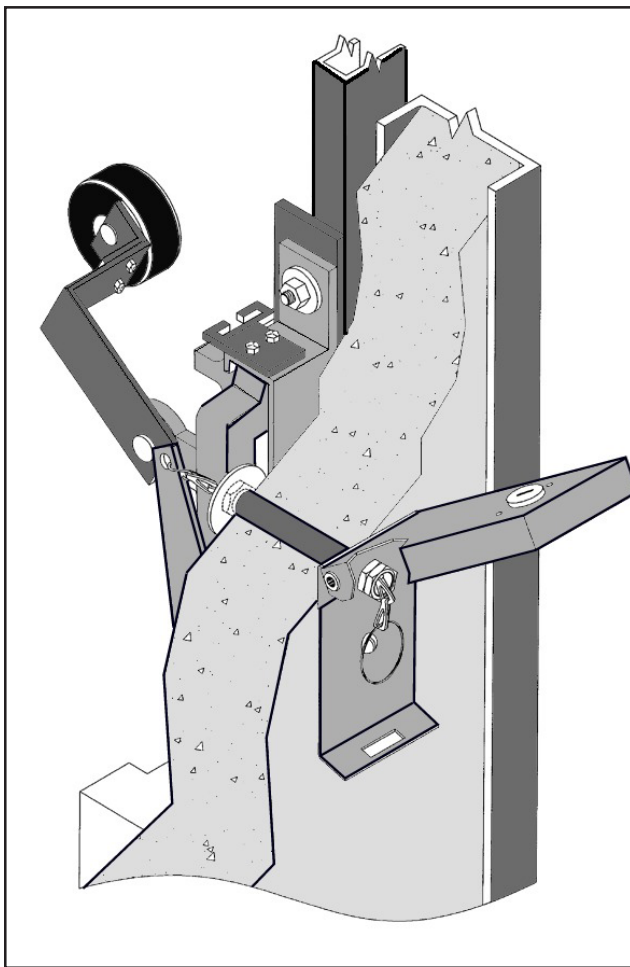


## EUD Installation Instructions

### EUD Install

COURION's Emergency Unlocking Device (EUD) mounts on the hallway wall adjacent to freight elevator doors and aligned as closely as possible to the hole in the top of the Interlock Roller Arm.

**EUD OPERATION:** Operation of the Interlock by the pull chain unlocks the Freight Doors when the car is not present at the landing. For this reason, please limit access to the Emergency Unlocking Device (EUD) keys.



- Drill a 5/8" (16mm) hole through the hoistway wall. This hole should be aligned as closely as possible to the hole in the top of the Interlock Roller Arm.
- Install 1/2" (13mm) EUD pipe through the hoistway wall.
- Attach EUD box to EUD pipe on hall side using thin hex nut.
- Attach large washer on the pipe on the hoistway side, followed by a thin hex nut.
- Hold EUD box in plumb position and then, using lower hole in EUD box, drill necessary mounting holes and fix the EUD box in position.
- Thread EUD chain and wiring through the EUD pipe from the hall/box side. Using an "S" hook, attach the EUD chain to the hole at the top of the Interlock Roller Arm.
- Pinch "S" hook closed with pliers.

